



## PREMIUM RANGE LED PANEL LUMINAIRE

956-008 - CYFELCO 1 RPR 7W 840

### PRODUCT DATASHEET

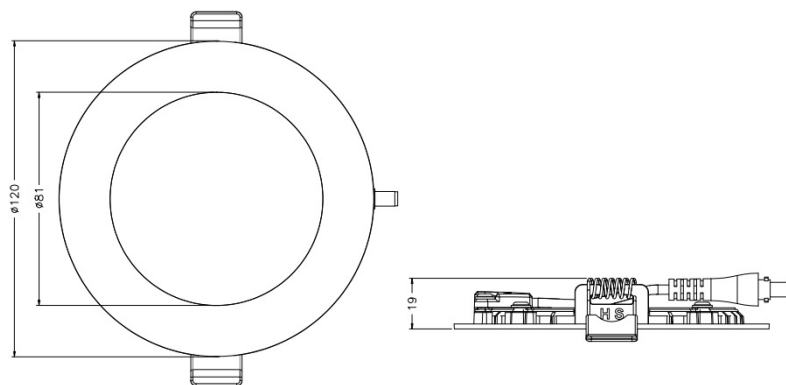
Slim housing round recessed panel luminaires with CRI80, for suspended ceilings and plaster board ceilings

#### Areas of application

- Direct replacement for luminaires with compact fluorescent lamps
- Offices, shops, conference rooms, reception areas, foyers, stairways, corridors
- Suitable for surface installation via aluminium surface mounting frame

#### Product Features

- CRI>80 and up to 85lm/W
- Energy Class F
- External driver for extended flexibility and easy installation
- Flicker-Free
- Lifetime (L70/B50): up to 15,000 h (at 25 °C)
- 2 Years Warranty



## TECHNICAL DATA

### Operating and Electrical

|                           |                   |
|---------------------------|-------------------|
| Input Voltage             | 220-240V AC       |
| Line Frequency            | 50/60 Hz          |
| Nominal Power Consumption | <b>7 W</b>        |
| Power Factor              | >0.5              |
| Total Harmonic Distortion | <20%              |
| Protection Class          | Class II          |
| Driver                    | External          |
| Connection                | Push in connector |

### Over Time Performance

|                           |            |
|---------------------------|------------|
| Lifespan L70/B50 at 25 °C | >15000 hrs |
|---------------------------|------------|

### Application

|                           |                  |
|---------------------------|------------------|
| Ambient Temperature Range | -25 to +40 °C    |
| Ingress Protection Code   | IP20             |
| Mech. Impact Protection   | IK04             |
| Application Environment   | Indoor           |
| Mounting Type             | Recessed/Surface |
| Dimmable                  | No               |

### Logistics

|                |               |
|----------------|---------------|
| Dimensions     | Φ120x17 mm    |
| Cut-out        | Φ110 mm       |
| Packaging Size | 125x30x170 mm |
| Gross Weight   | 0.155 Kg      |
| Net Weight     | 0.130 Kg      |

### Directives

|             |  |
|-------------|--|
| 2014/30/EU  | Electromagnetic Compatibility Directive              |
| 2014/35/EU  | Low Voltage Directive                                |
| 2011/65/EU  | Restriction of Hazardous Substances Directive (RoHS) |
| 2009/125/EU | Ecodesign Requirements for energy-related products   |

### Standards

|                       |  |
|-----------------------|--|
| EN 60598-1:2015       | Luminaires part 1 General Requirements   |
| EN 60598-2-1:1989     | Part 2: Particular requirements-Section 1 Fixed general purpose luminaires   |
| EN IEC 55015:2013 +A1 | Limits and methods of measurement of radio disturbance characteristics of electrical lighting and similar equipment  |
| EN 61547:2009         | Equipment for general lighting purposes - EMC immunity requirements  |
| EN IEC 61000-3-2:2014 | Electromagnetic compatibility (EMC) - Part 3-2: Limits - Limits for harmonic current   |
| EN 61000-3-3:2013     | Electromagnetic compatibility (EMC) - Part 3-3: Limits - Limitation of voltage changes, voltage fluctuations and flicker in public low-voltage supply systems, for equipment |
| EN 62493:2015 A1/2022 | Assessment of lighting equipment related to human exposure to electromagnetic fields   |

### Photometric Data

|                              |                        |
|------------------------------|------------------------|
| Luminous Flux                | <b>595 lm</b>          |
| Luminous Efficacy            | 85 lm/W                |
| Color Temperature            | 6500 K (Cool Daylight) |
| Color Rendering Index        | >80                    |
| SDCM                         | <5                     |
| Flickering metric (Pst LM)   | <1                     |
| Stroboscopic Effect (SVM)    | <0.4                   |
| Photobiological safety group | RG 0                   |
| Beam Angle                   | 120°                   |
| UGR                          | <22                    |

### Mechanical and Housing

|                         |       |
|-------------------------|-------|
| Housing Material        | Iron  |
| Light Guide Plate (LGB) | PS    |
| Diffuser                | PS    |
| Reflector               | PET   |
| Housing Color           | White |

|           |                    |
|-----------|--------------------|
| Packaging | 100 pcs per Carton |
|-----------|--------------------|

|                         |       |
|-------------------------|-------|
| Carton Box Gross Weight | 17 Kg |
|-------------------------|-------|

|                       |       |
|-----------------------|-------|
| Carton Box Net Weight | 13 Kg |
|-----------------------|-------|

### Accessories/Options

|                       |                 |
|-----------------------|-----------------|
| Recessed installation | Torsion Springs |
|-----------------------|-----------------|

|                      |                           |
|----------------------|---------------------------|
| Surface Installation | Mounting Frame (Optional) |
|----------------------|---------------------------|

